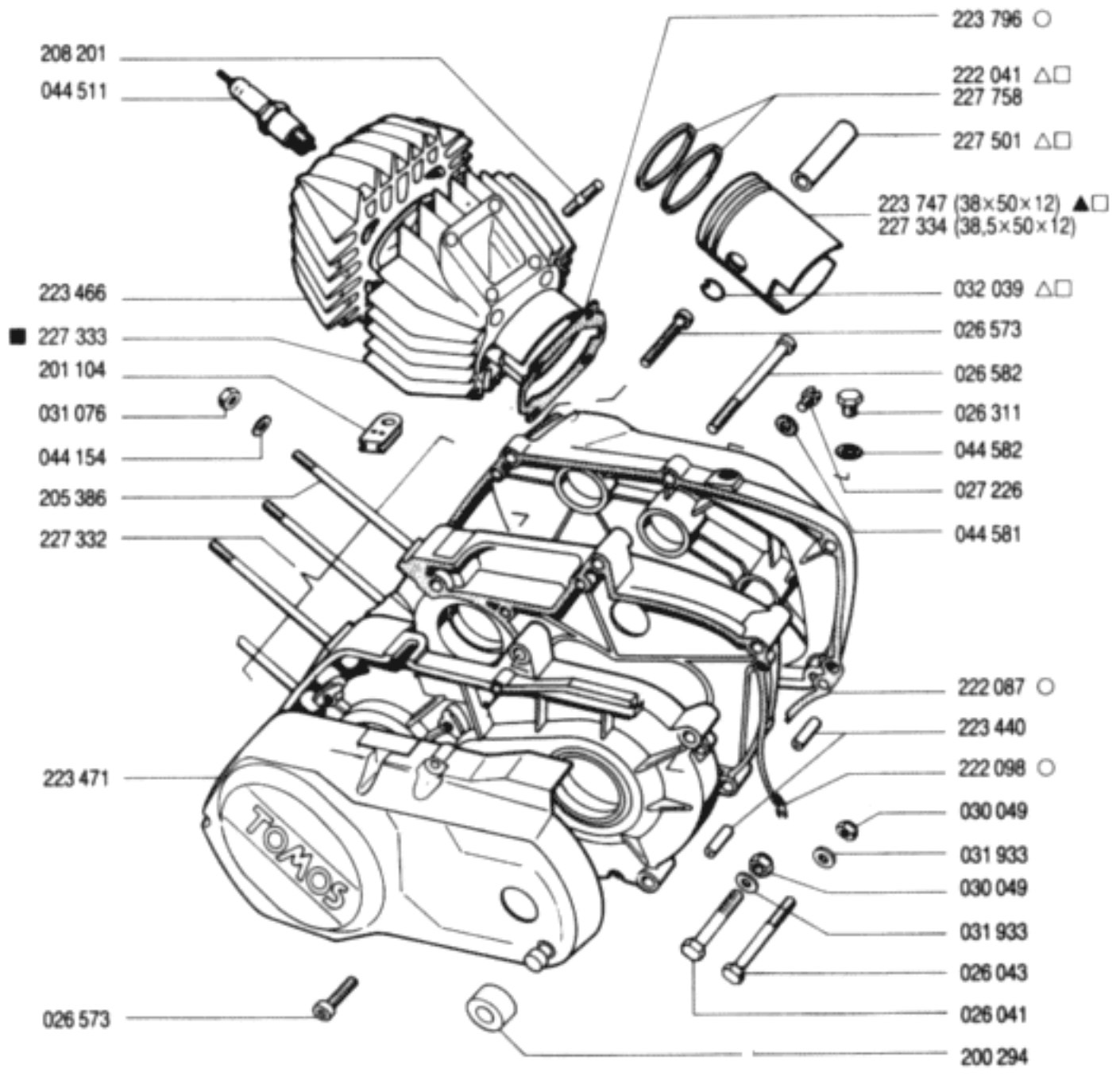


CRANKCASE, CYLINDER, PISTON

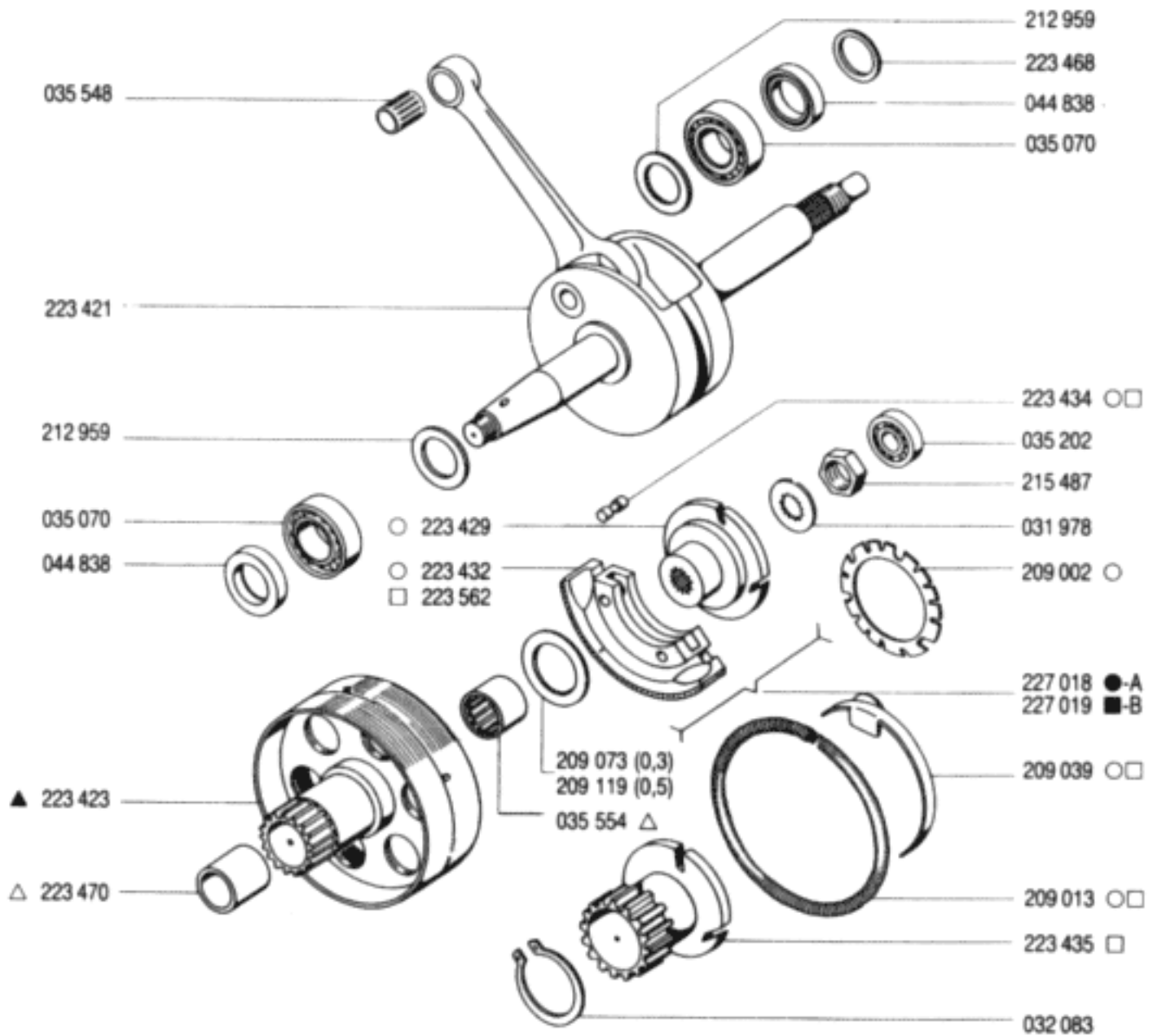
A

- 227 201 - engine
- 227 331 - gasket set



CRANKSHAFT, CLUTCH

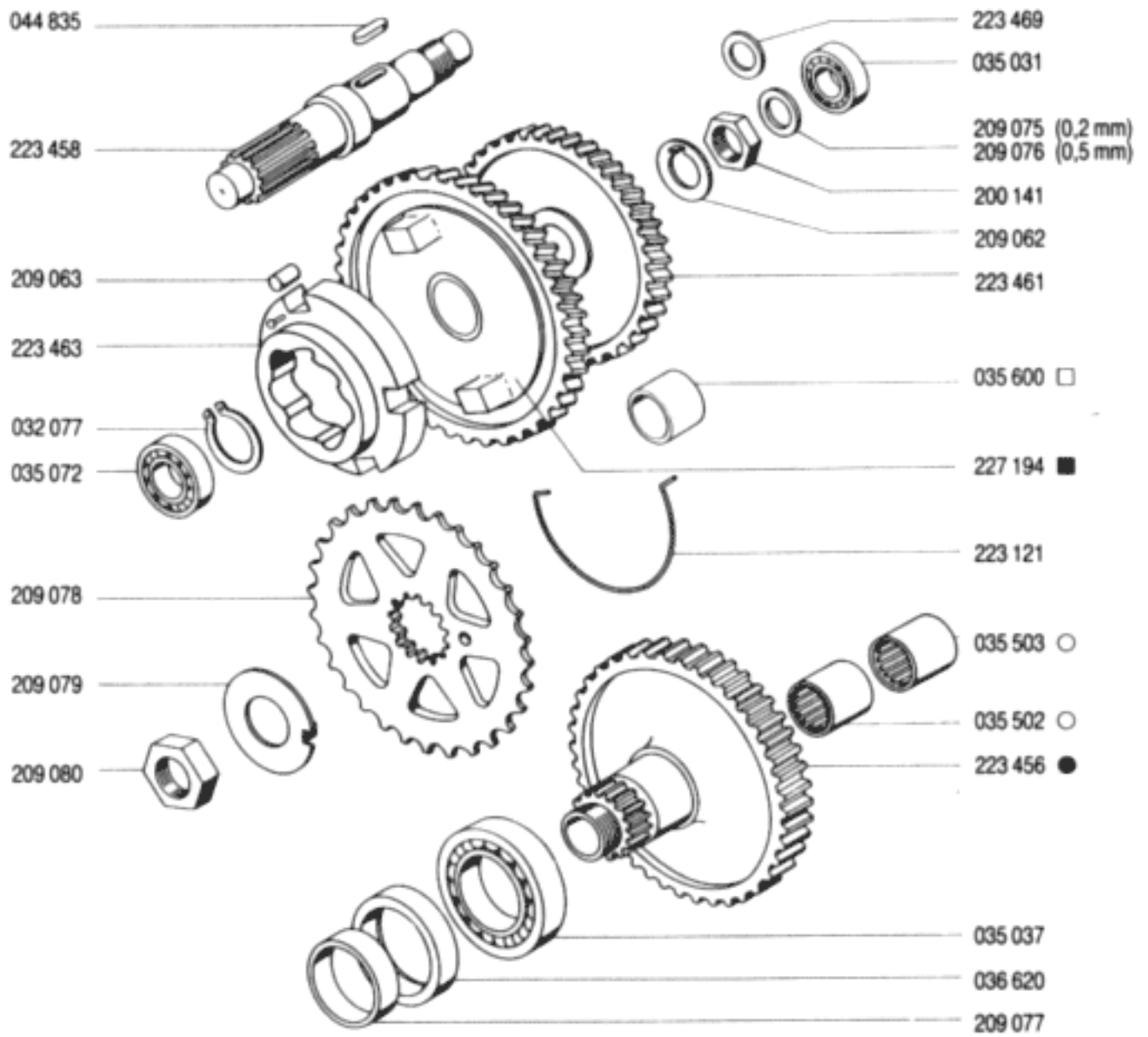
B



A-
clutch 1st speed
B-
clutch 2nd speed

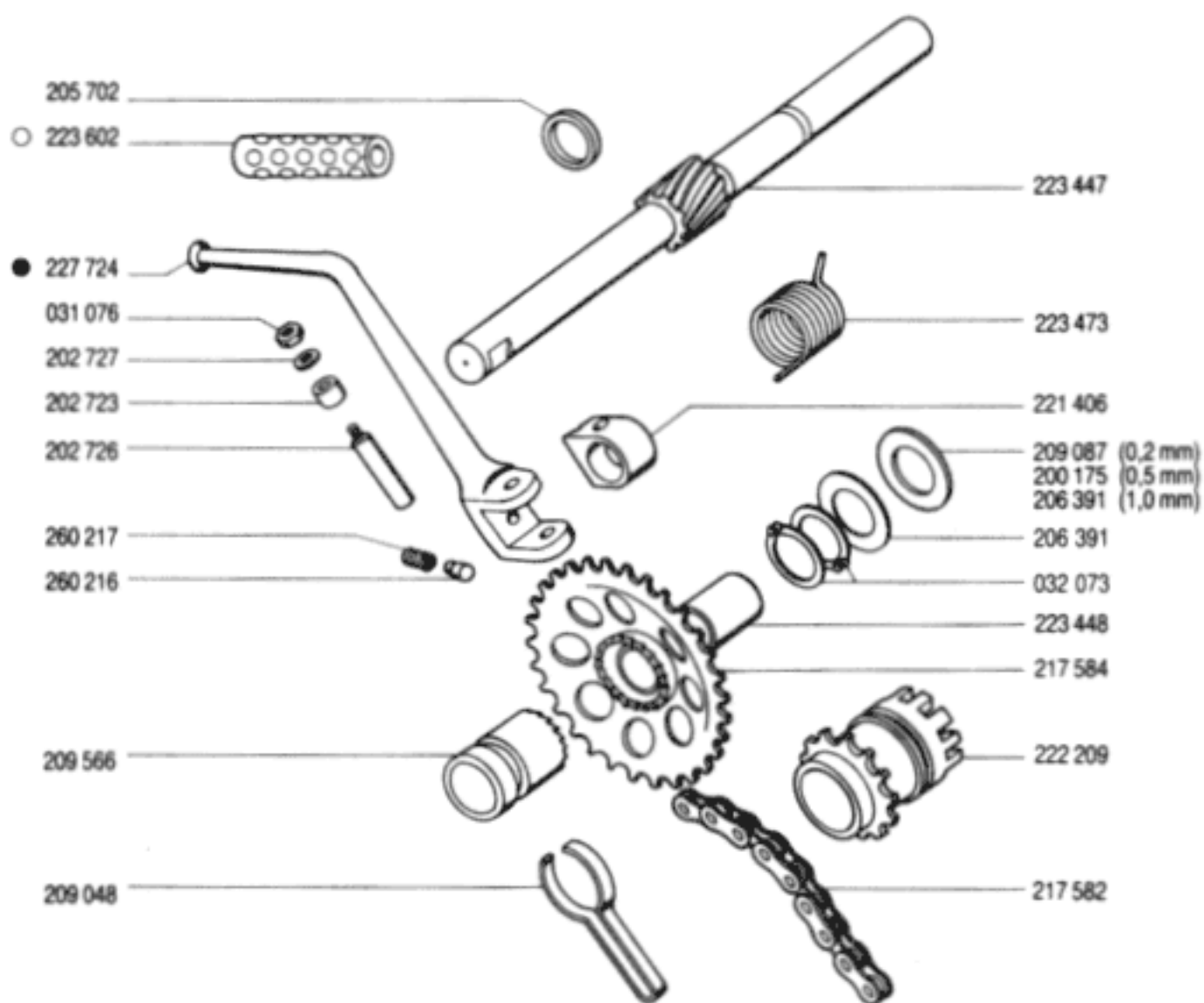
COUNTERSHAFT, MAINSHAFT

C



STARTER ASSEMBLY

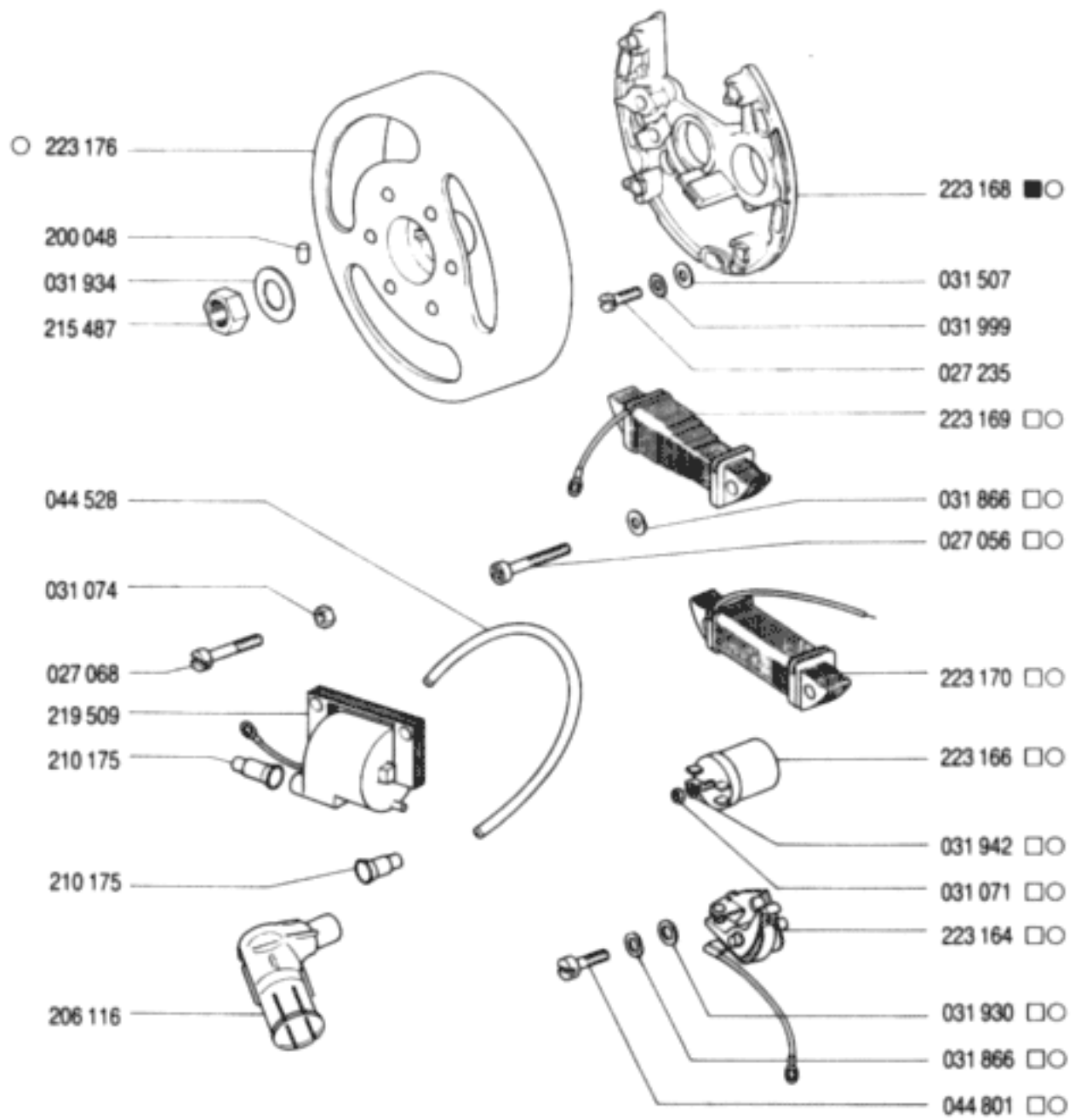
D



MAGNETO ASSEMBLY

E

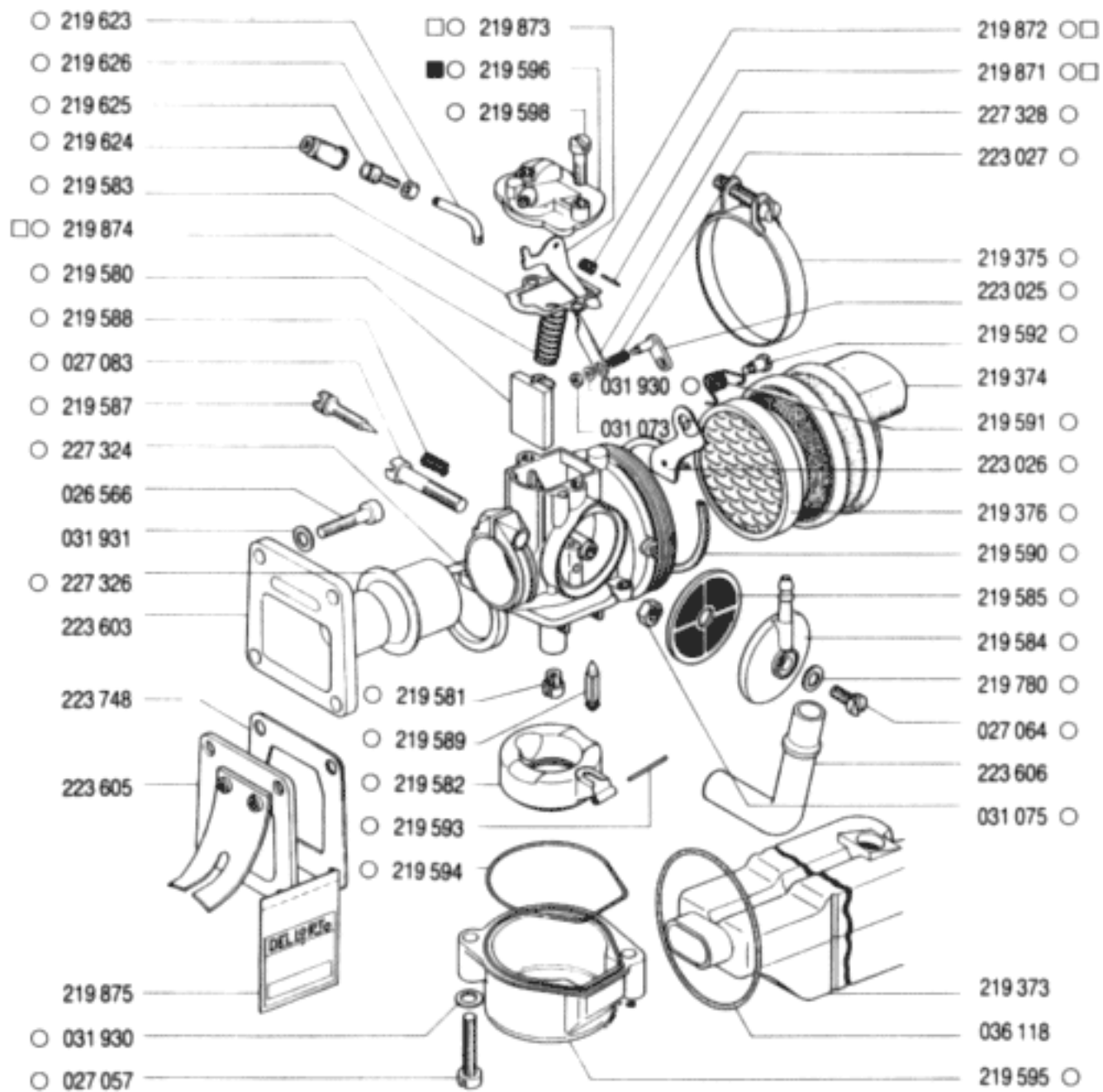
● 222 010 (ISKRA 12 V 50 W)



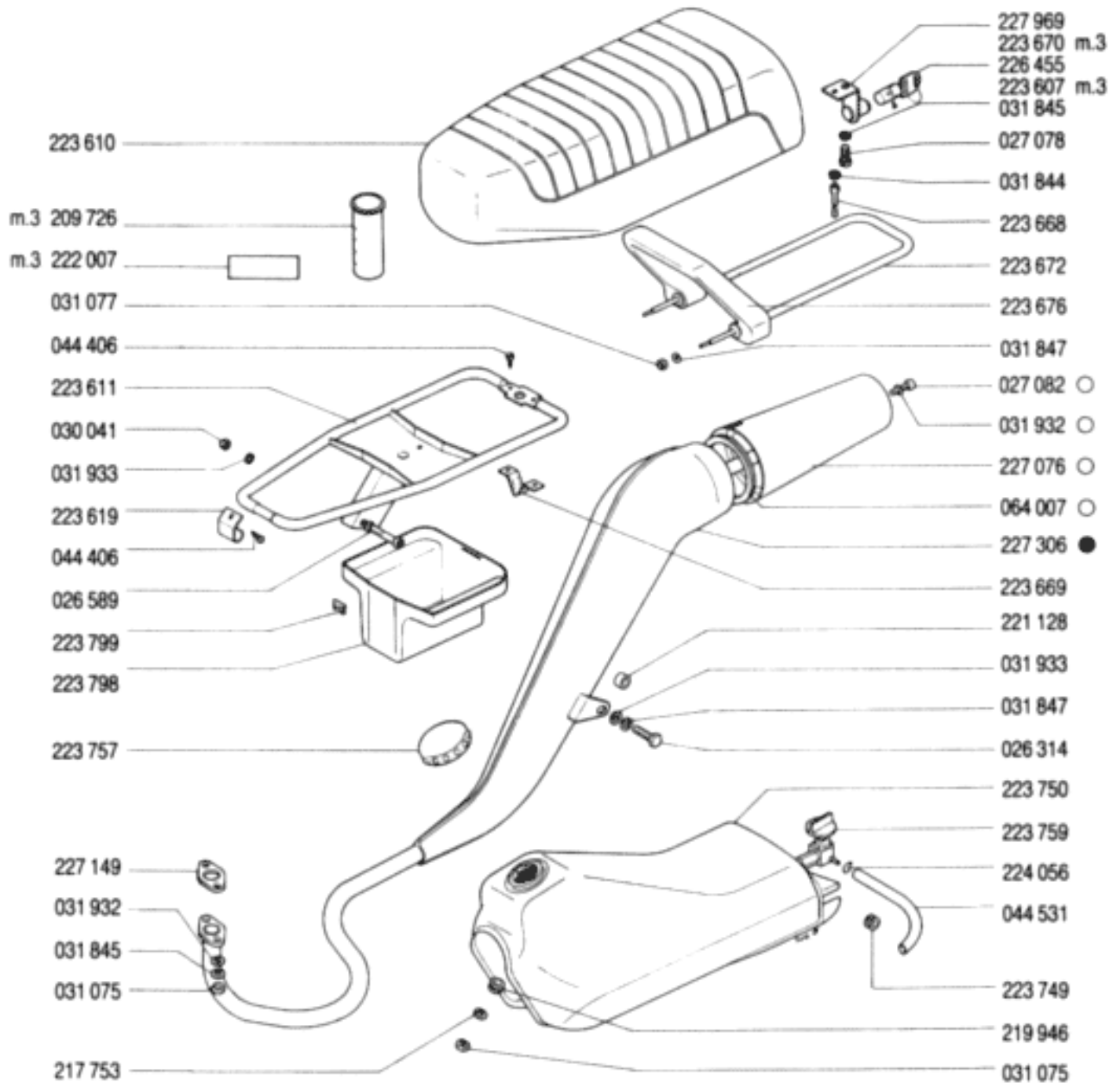
CARBURETOR, INTAKE MANIFOLD

F

● 227 506 DELL'ORTO SHA 14-12 P

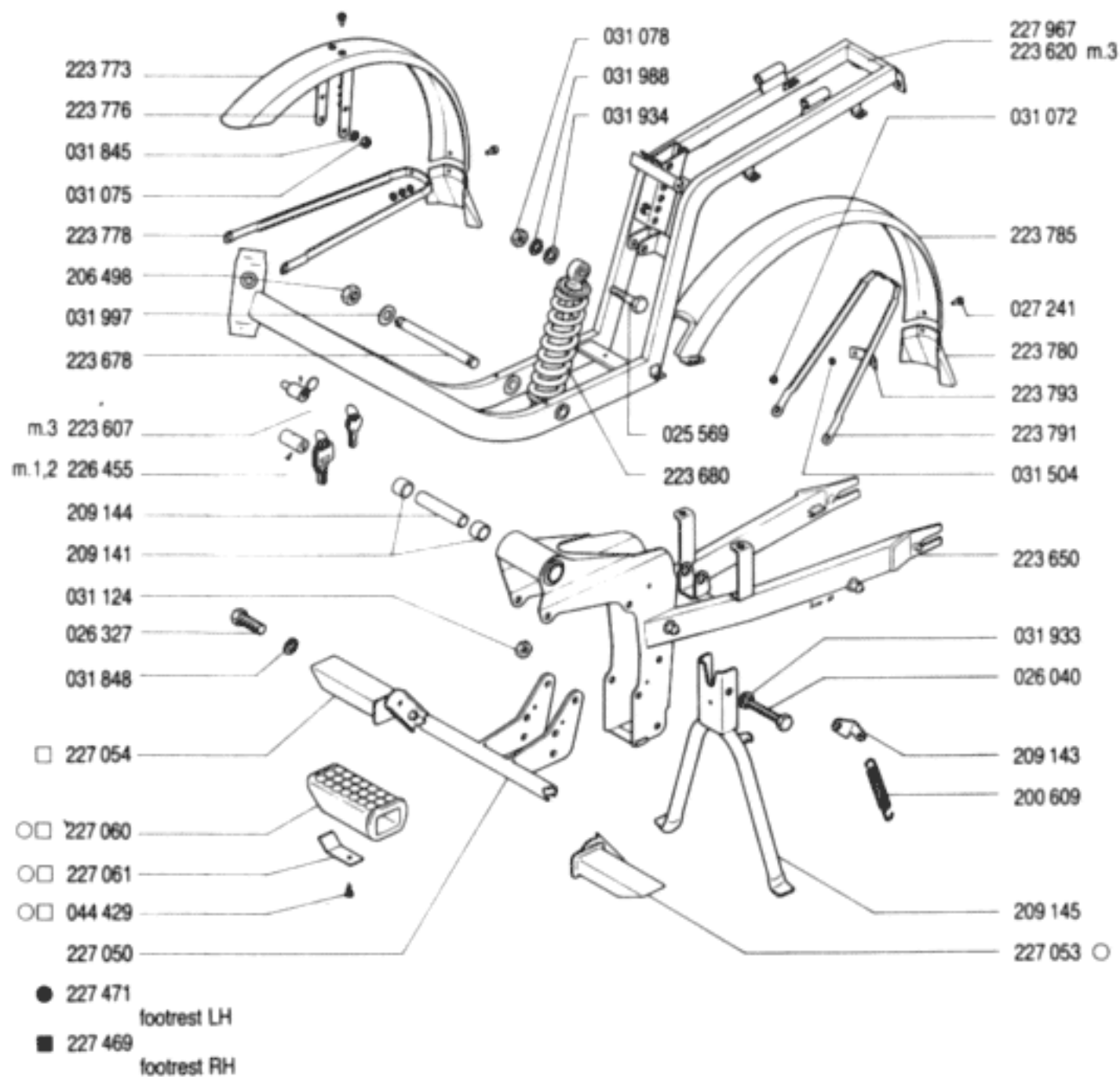


EXHAUST SYSTEM, FUEL TANK, SEAT

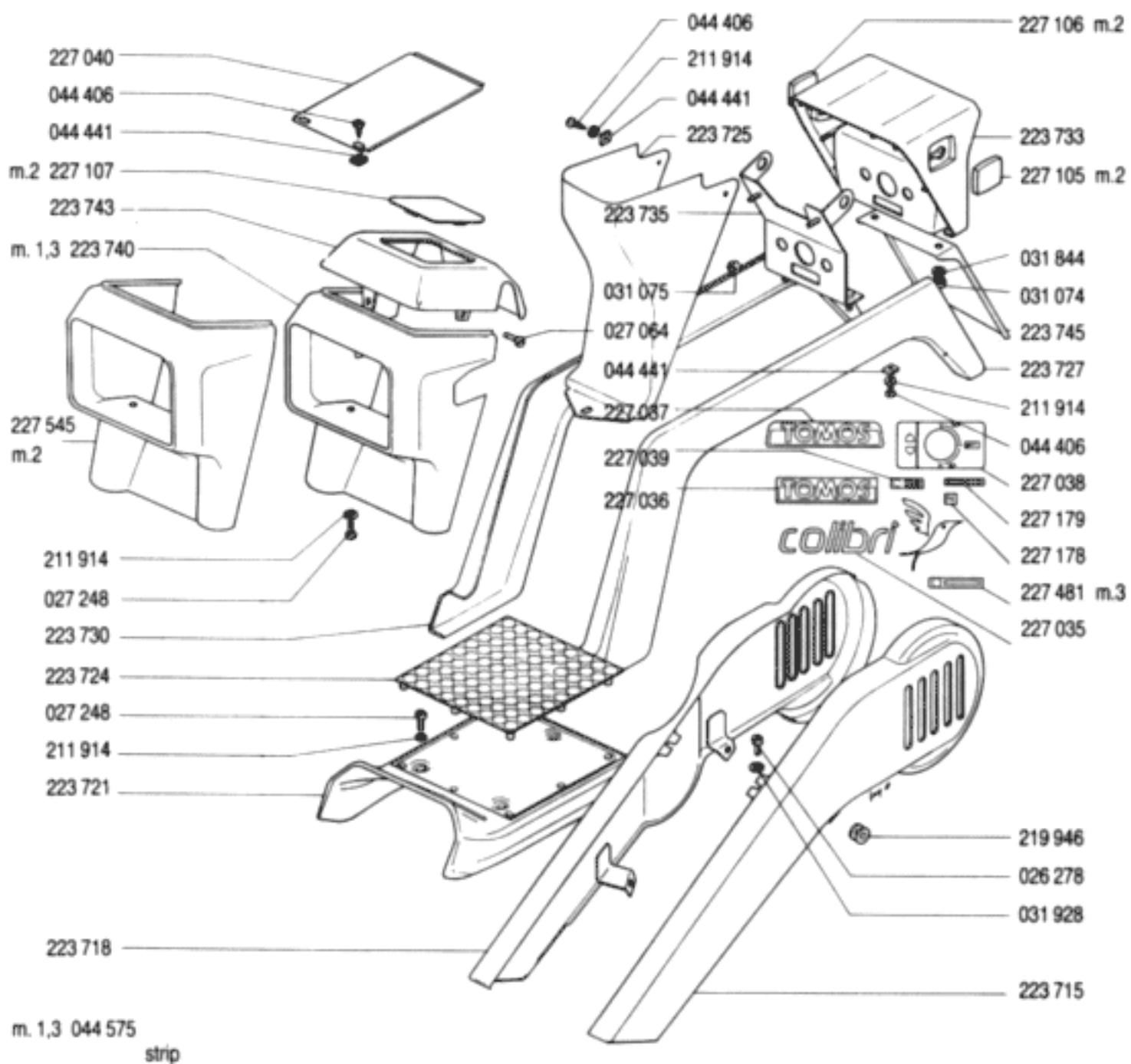


FRAME, SWING ARM, FENDERS

H



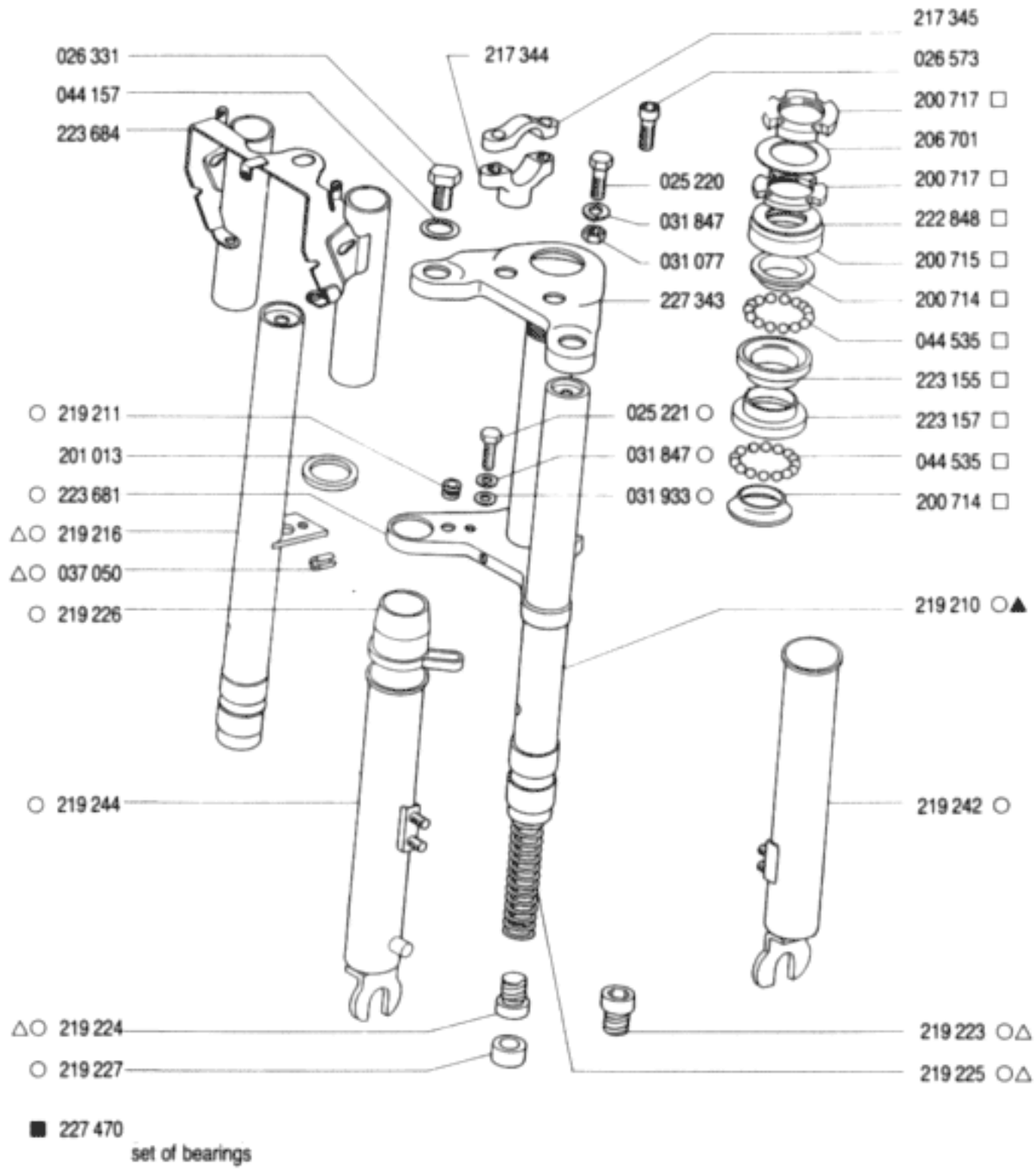
SHIELDS, COVERS, DECALS



FRONT FORKS

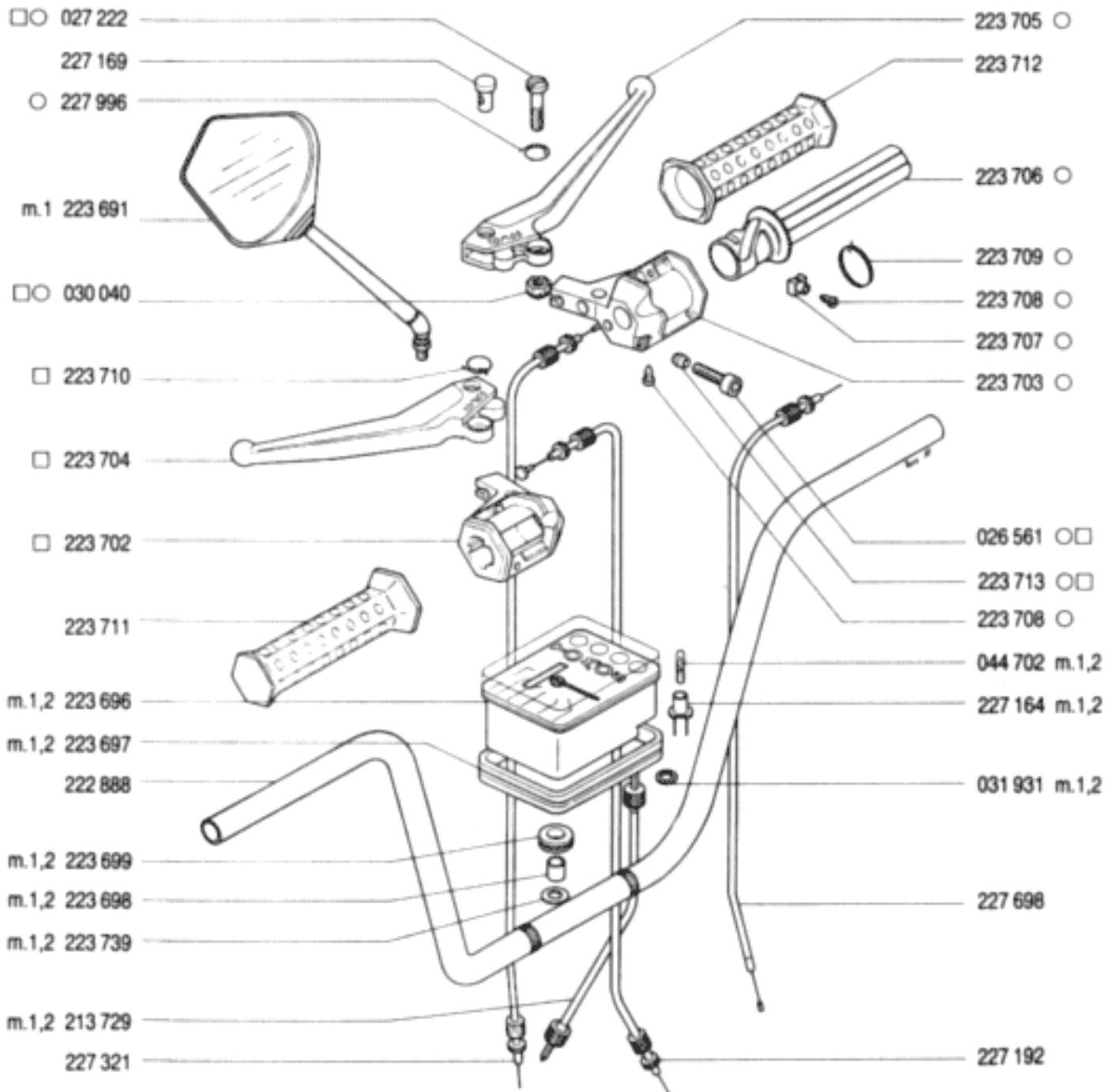
J

● 227 307



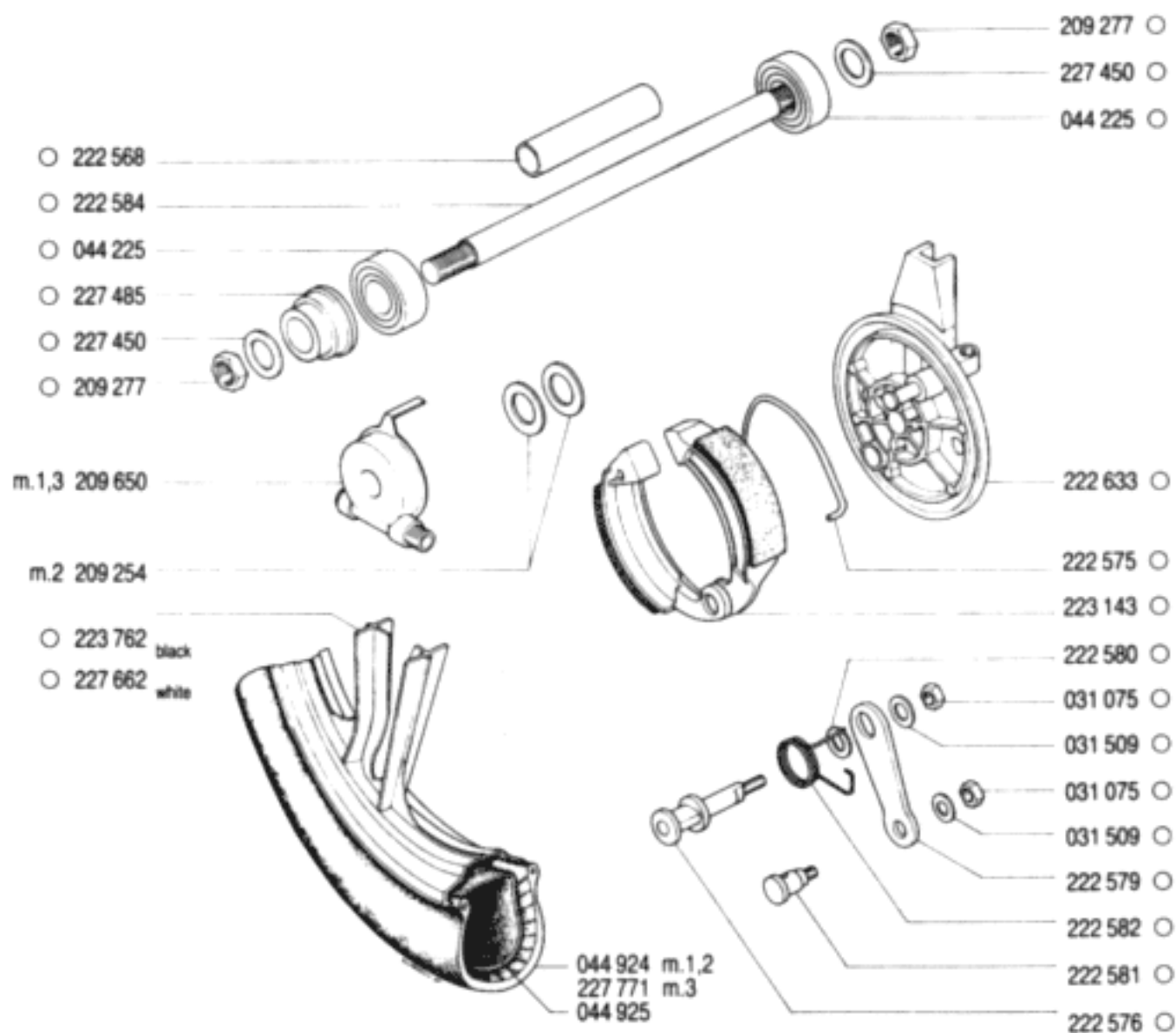
HANDLEBAR, CONTROLS, CABLES, SPEEDOMETER

- 223 700
throttle assy.
- 223 701
rear brake lever assy.



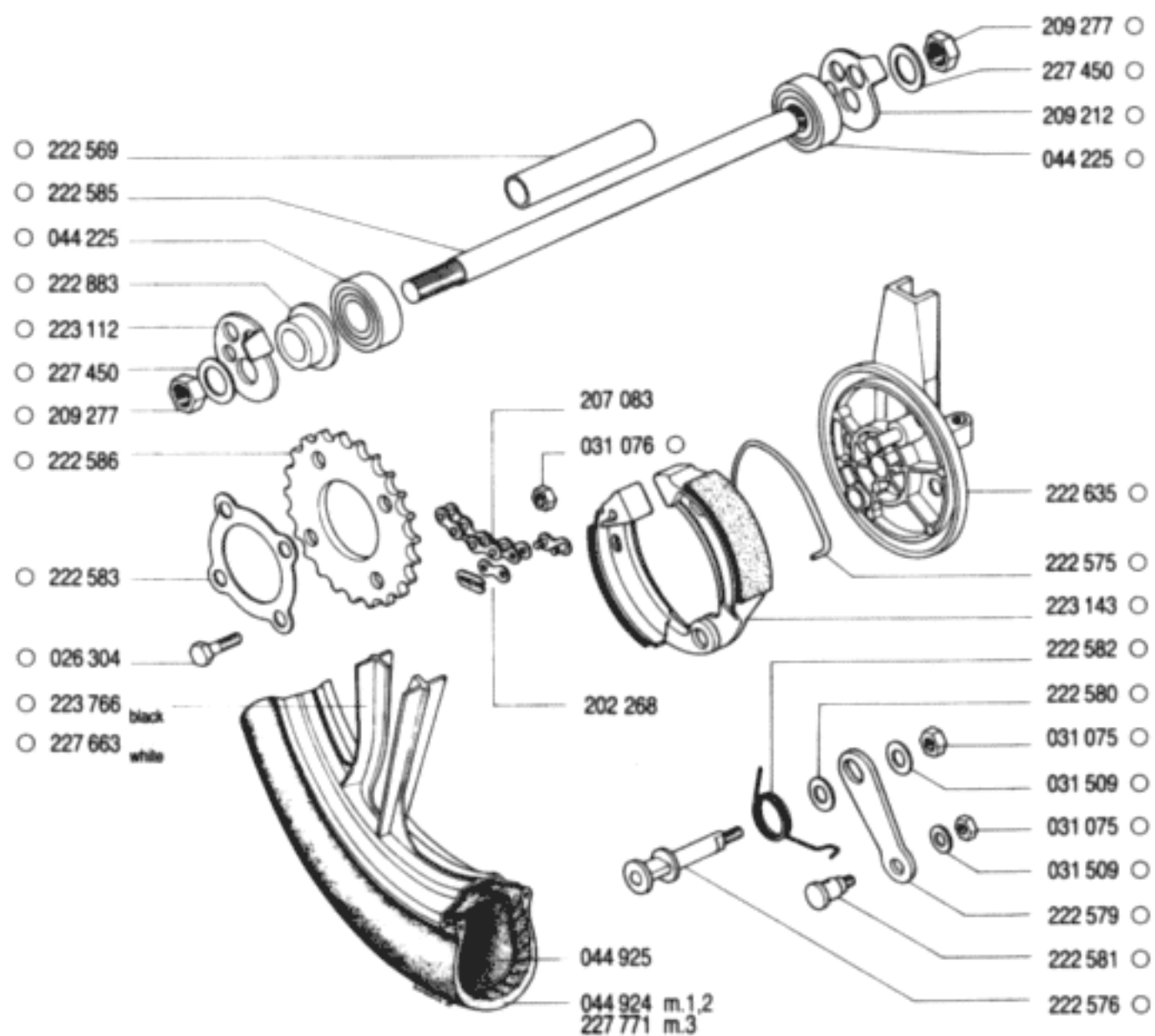
FRONT WHEEL

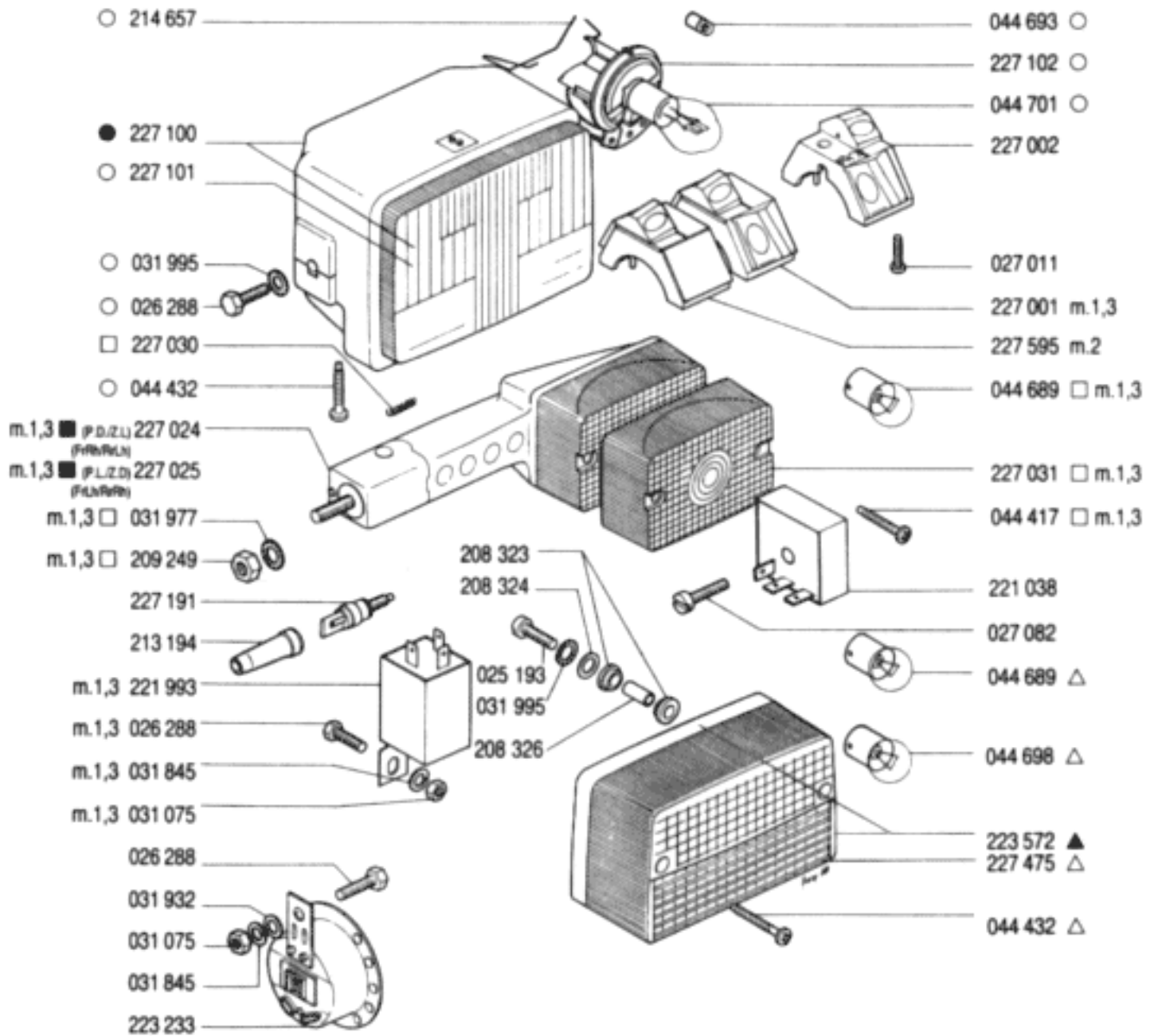
- 223 761 black
- 227 665 white



REAR WHEEL

- 223 765 black
- 227 682 white





227 021
electric wiring